

Programmes After Market Service NPL-1 Series Cellular Phones

7 – Disassembly Instructions

Table of Contents

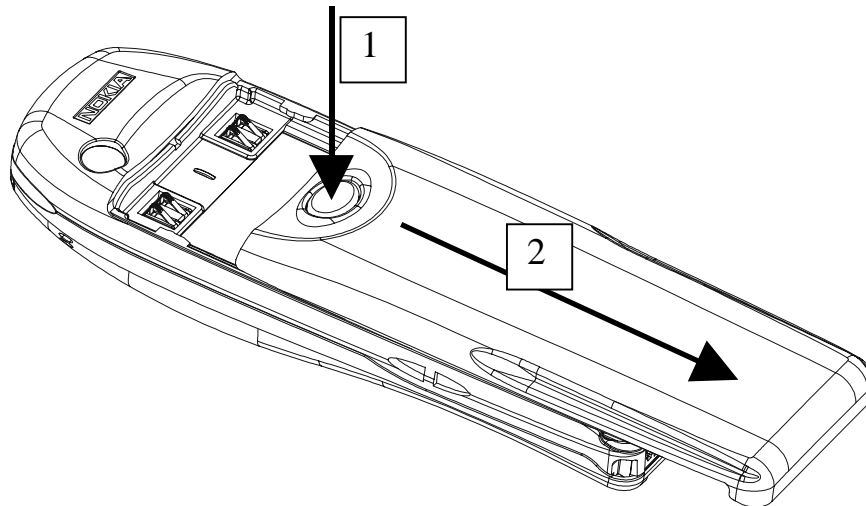
Description	Page No.
Disassembly instructions	3
Remove Battery	3
Remove Dustcap	3
Remove 4 Screws	4
Remove B Cover	4
Remove Antenna	5
Remove PWB	6
Remove Keymat, Speaker and Buzzer	6
Remove the Lightguide	7
Removing the Microphone & Shielding lids	7
Opening of Shielding assembly	9
Mechanical parts list	11
Exploded view	12

Disassembly Instructions

Remove Battery

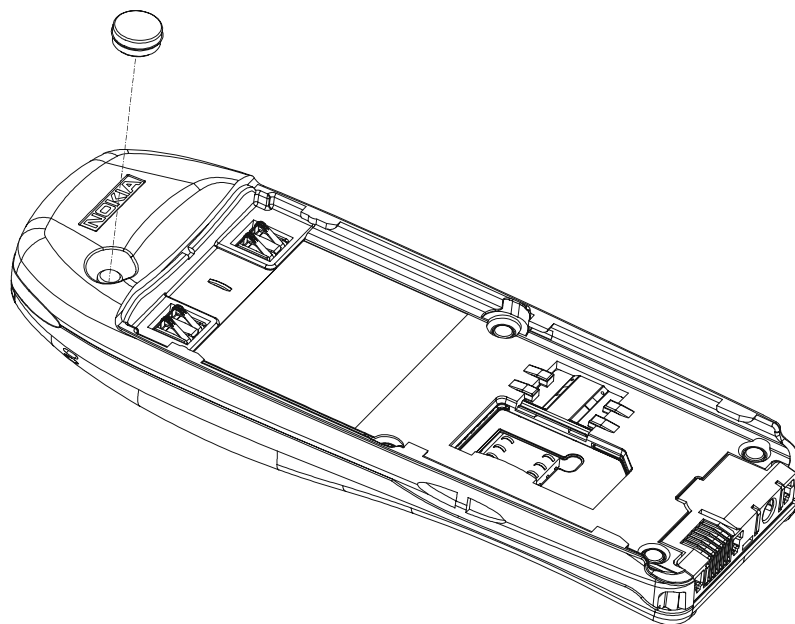
NOTE: Use anti-ESD gloves.

- 1 Push button (1).
- 2 Slide battery (2) towards system connector and remove.



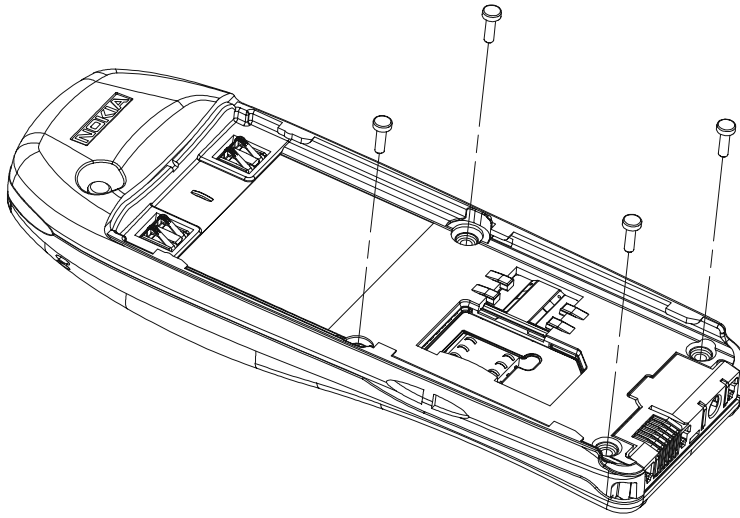
Remove Dustcap

- 1 Remove dustcap.



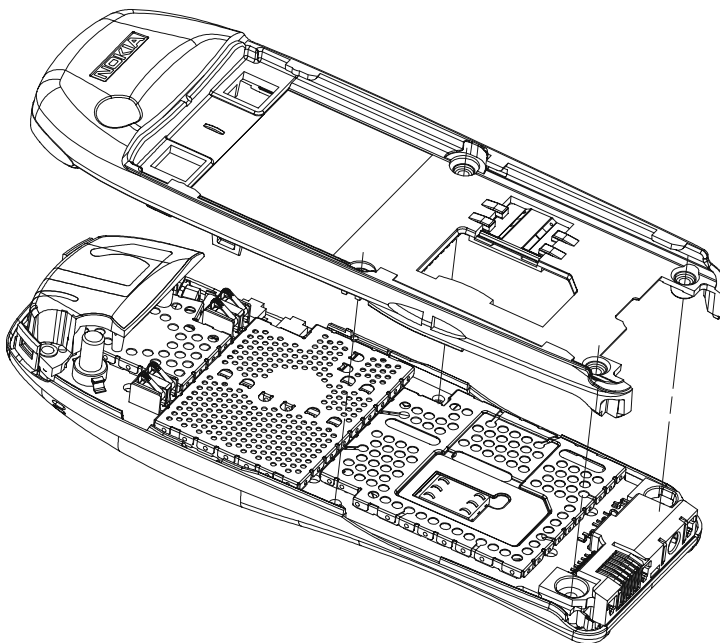
Remove 4 Screws

- 1 Remove 4 screws(Torx # 6)



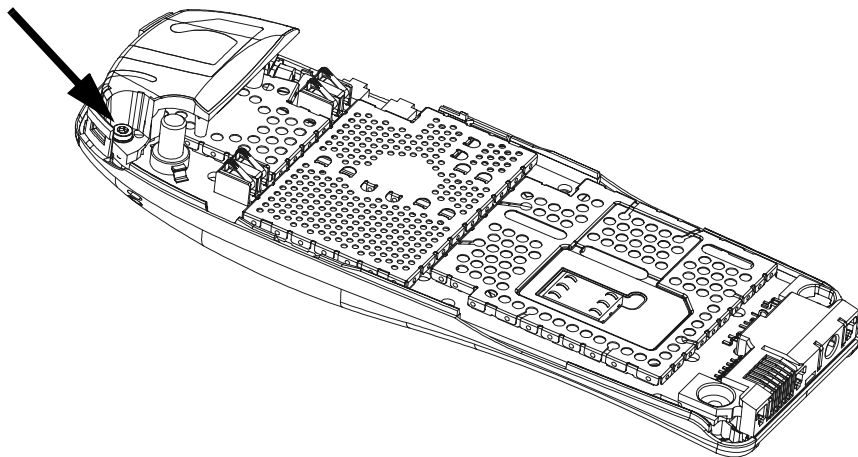
Remove B-cover

- 1 Lift B-cover at system connector - be aware of the tight snaps each side of the type label.
- 2 Twist the B-cover slightly both ways until it releases.
- 3 Lift B-cover until 3 top snaps disengage.

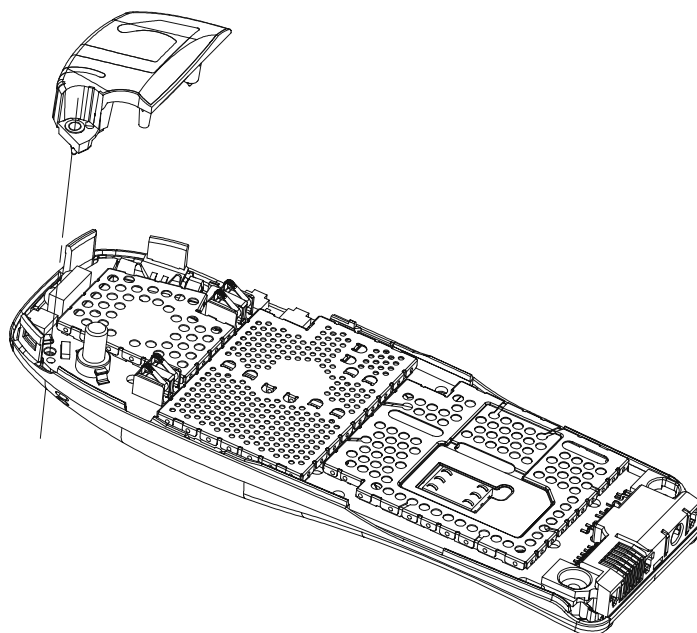


Remove Antenna

- 1 Remove the antenna screw (Torx # 6).

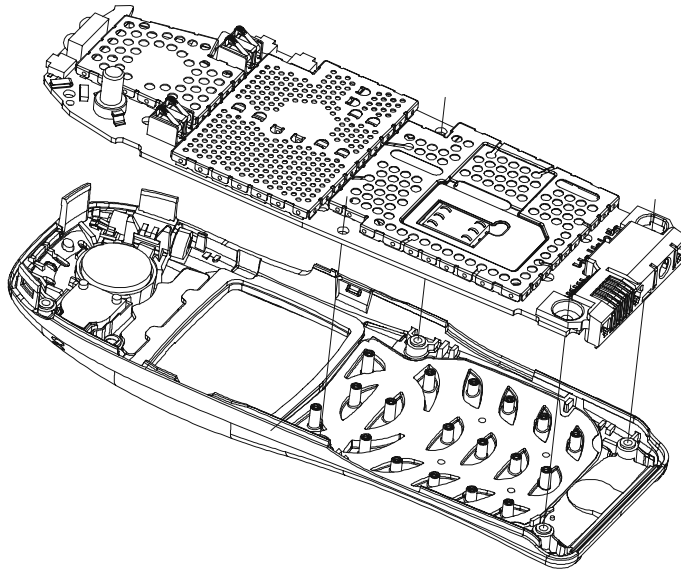


- 2 Lift up antenna from the body.



Remove PWB

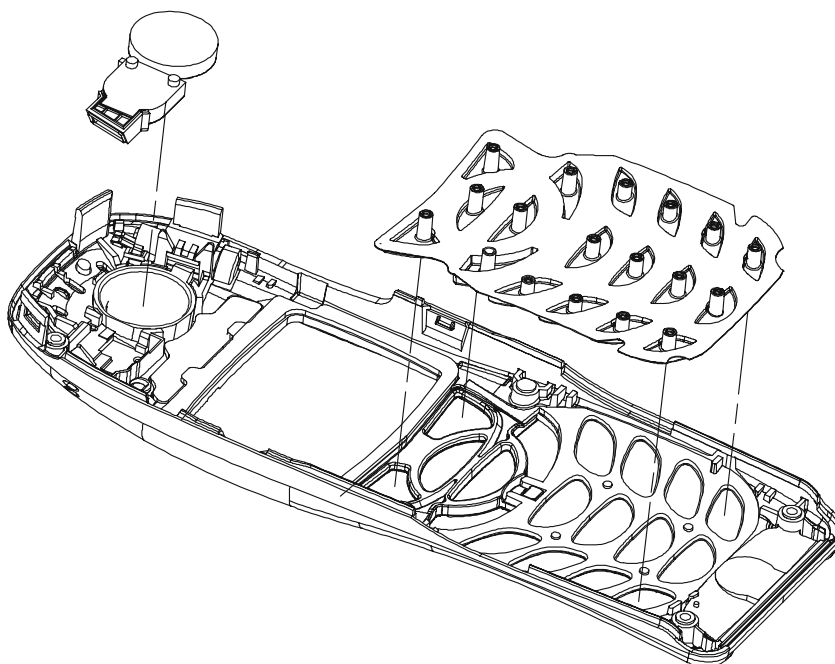
- 1 Carefully lift up the PWB.



Remove Keymat, Speaker and Buzzer

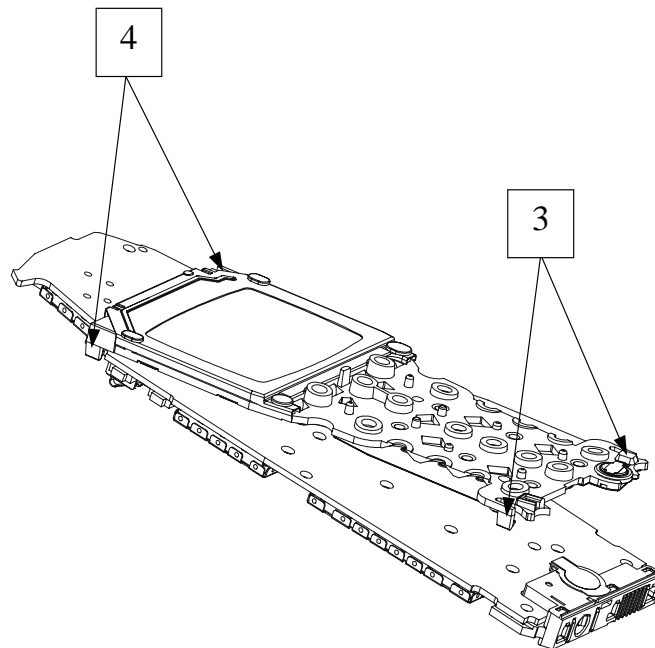
- 1 Carefully lift out the Keymat.
- 2 Remove the Speaker and the Buzzer using a straight bladed screwdriver.

NOTE: Avoid touching Speaker and Buzzer Springs and Speaker Membrane.



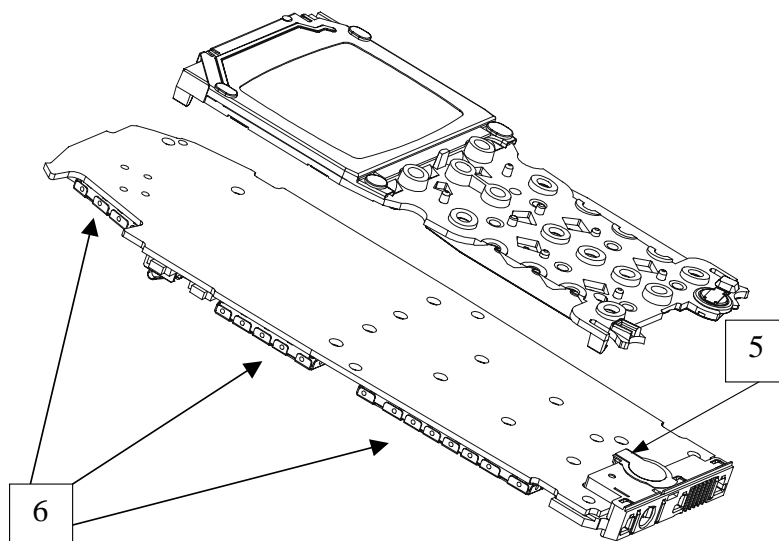
Remove the Lightguide

- 1 Carefully bend the two plastic bottom snaps off (3).
- 2 Bend off the two top plastic snaps (4).
- 3 Lift up the Lightguide.



Removing the Microphone & Shielding lids

- 1 Remove the Microphone by lifting the tape (5).
- 2 Remove the Shielding lids (6) using side cutters or tweezers to pick the corners of the lids. Be aware of not removing the frame as well.

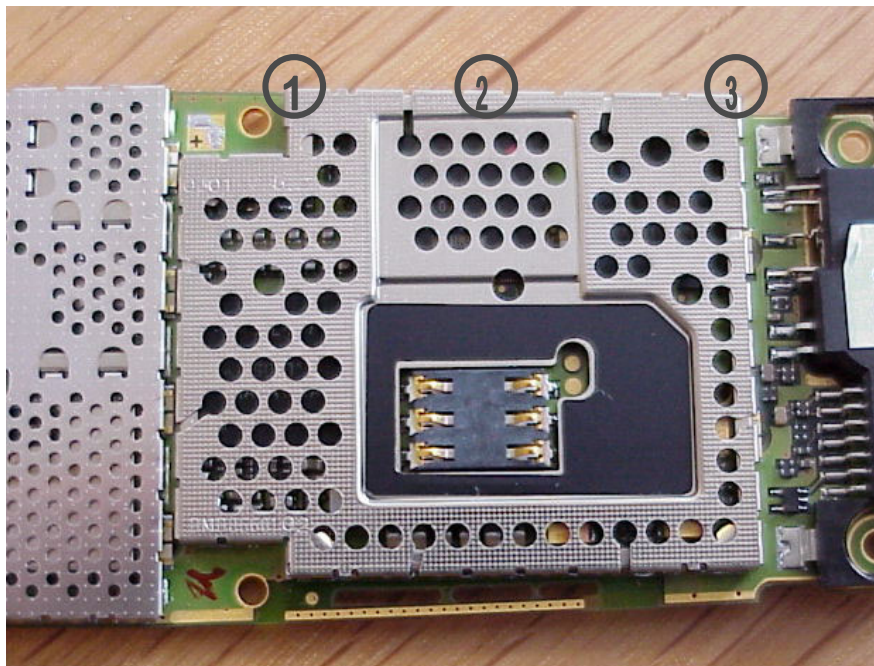


IMPORTANT NOTES

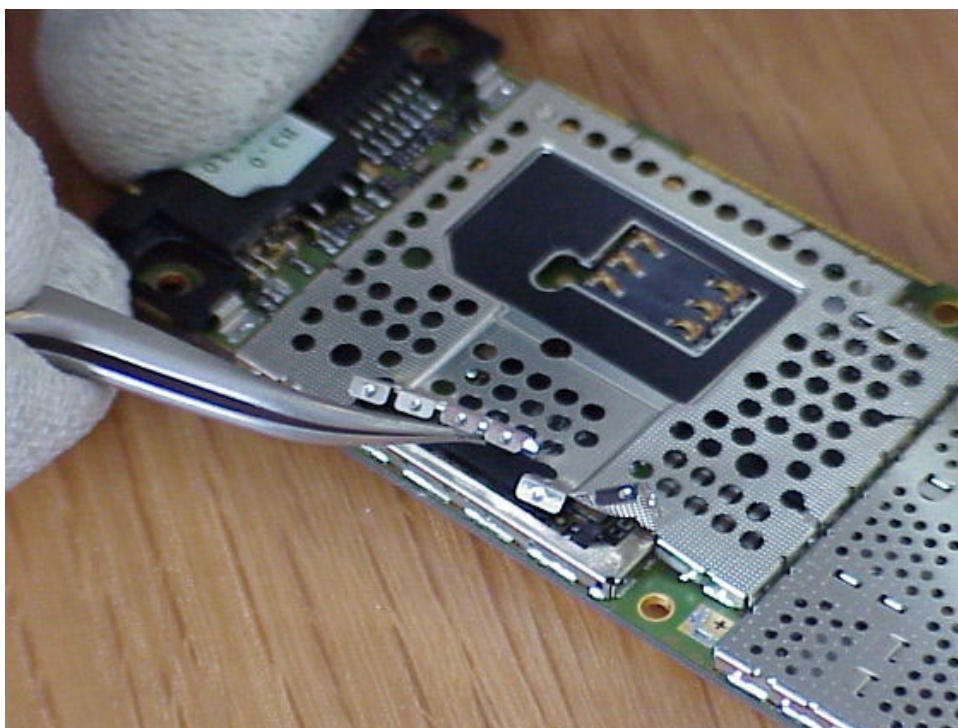
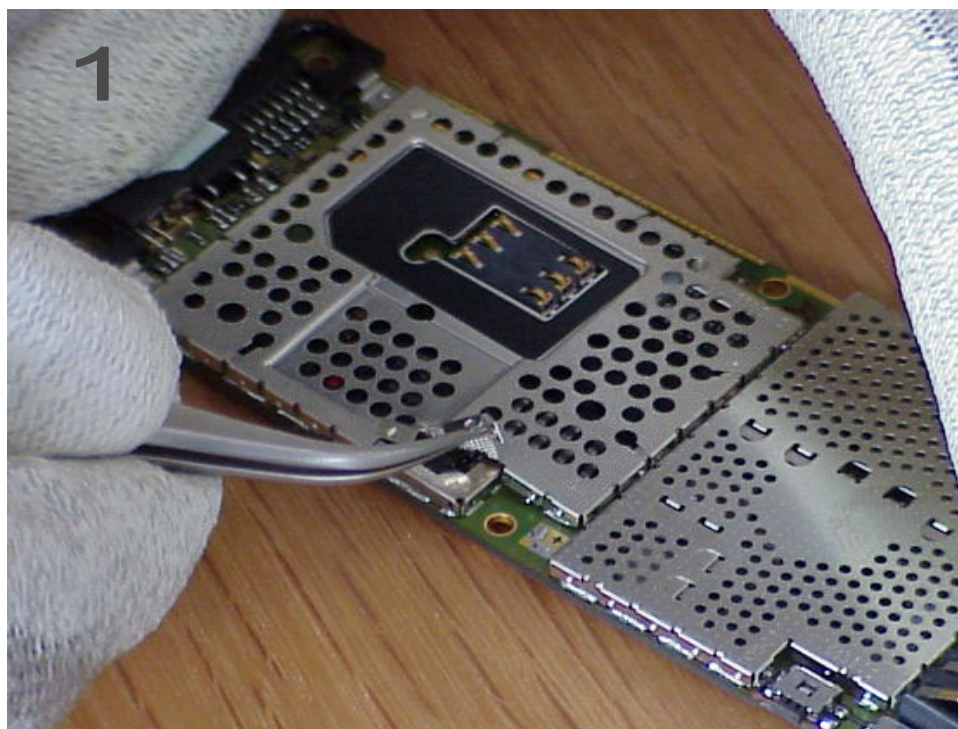
1. Never re-use removed Shield Can Lids - a new lid must be fitted in order to comply with type approval requirements.
2. When reassembling the phone, all 5 Torx screws must be tightened to 17Ncm.
3. Always use new Torx screws.
4. If latches or hooks on B-cover are broken, replace with a new B-cover and create a new label. Be aware of correct position of volume key.
5. Only use red antennas for NPL-1 phones. Be aware of correct placement of the antenna pins in PWB and shielding holes.
6. Blow away any dust in A-cover window and on display.
7. Jet Black covers are assembled with Golden keymats and Lightning Silver and Mistral Beige with Grey keymats.

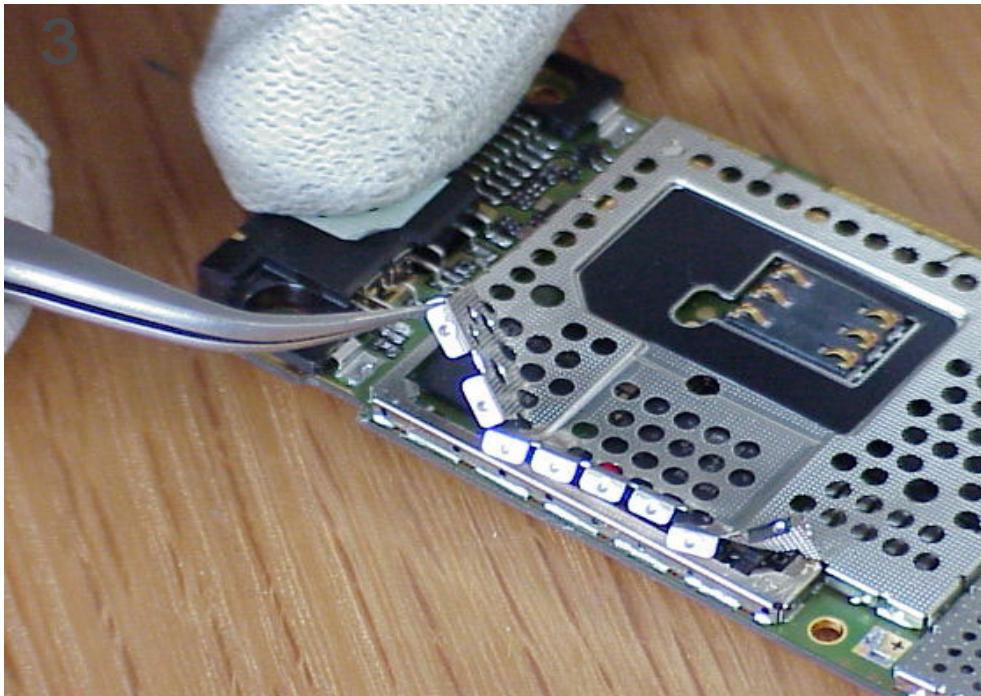
Opening of Shielding assembly

- The lid should be disassembled by using tweezers or sidecutters.
- Start by lifting and bending the lid with the tweezers in point 1-3. Make sure that the lid remains open by permanently deforming the lid when bending.
- Make sure that the frame is not damaged when attacking the corners of the lid. If too much force is used on the frame when lifting lid, it will be damaged.

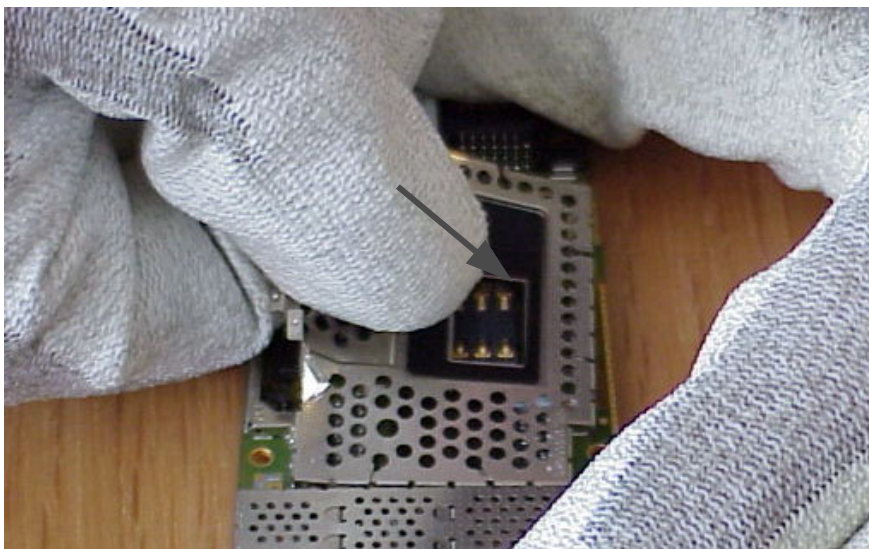


- Lift the lid in the corner and bend the flap to up-right position.





- You should now be able to grab the three bend flaps.
- Drag the lid in direction of bottom connector and a bit to the side (see arrows) using high force. In order to detach the lid at the bottom connector side lift the lid while holding the force.
- When the bottom connector side is loose put one finger under the lid and drag the lid up in direction of the arrow shown below.



Note: Reuse of lids is **NOT** allowed

Mechanical Parts List

Item	Order No.	Description	Dwg	Item	Order No.	Description	Dwg
1	9430274	Logo Badge printed	DMC02445	4	5140233	Kirk Speaker and spring	
1	9370601	Co-Label blank for US-A-cover	DMD08087	5	5140209	Buzzer assembly	
2	9451928	A-cover assembly EURAF/APAC Jet Black	DMC03544	6	4850163	Lightguide assembly	DMC03546
2	9452190	A-cover assembly EURAF/APAC Mistral Beige	DMC03544	7		PWB unit (not a spare part)	
2	9452222	A-cover assembly APAC Lightning Silver	DMC03544	8	5140225	Microphone + Boot assembly	DMC04492
2	9452223	A-cover assembly US Jet Black	DMC03544	9	0660251	Internal antenna plated	DMC04224
2	9452224	A-cover assembly US Mistral Beige	DMC03544	10	9458087	B-cover assembly	DMC03545
2	9452342	A-cover assembly US Lightning Silver	DMC03544	11	9790385	Volume key	DMD04877
3	9790664	Keymat Latin, Gold	DMC05048	12	9790412	On/off key printed	DMC02626
3	9790666	Keymat Latin, Grey	DMC05048	13	6150025	Screw M1.6 x 5.5	DMD06359
3	9790667	Keymat Cyrillic, Gold	DMC05049	14		Battery	
3	9790718	Keymat Cyrillic, Grey	DMC05049	15	9451139	Dust cap	DMD02859
3	9790669	Keymat Hebrew, Gold	DMC05050				
3	9790668	Keymat Arabic, Gold	DMC05051	not a spare part			
3	9790679	Keymat Arabic, Grey	DMC05051	16	6800043	Vibra motor (assembled in A-cover)	DNS01303
3	9790672	Keymat Greek, Gold	DMC04976				
3	9790671	Keymat Greek, Grey	DMC04976				

Exploded views

